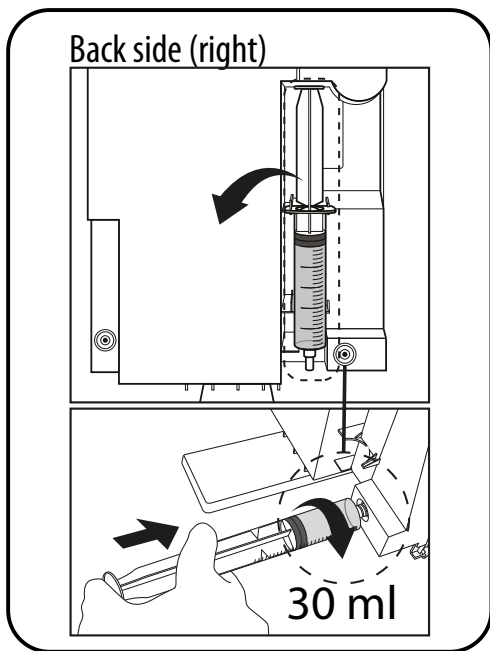
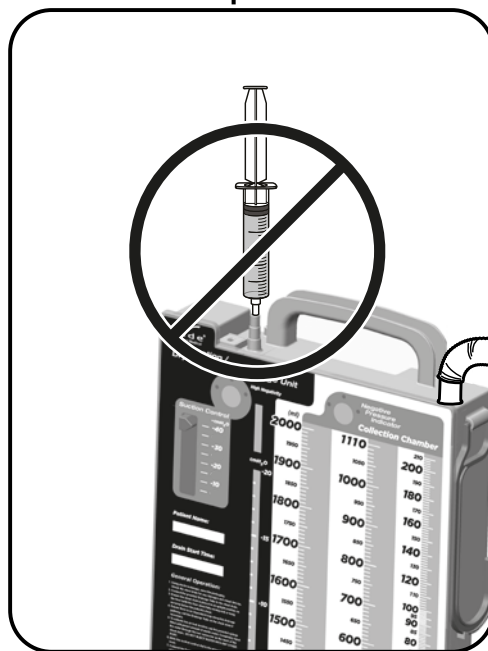


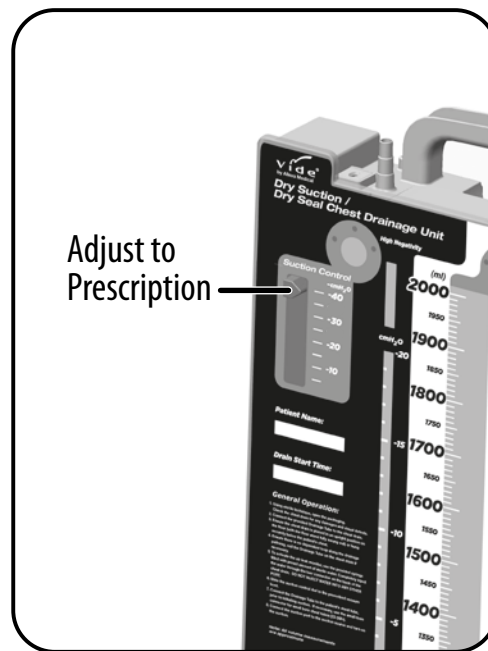
1 Water Seal



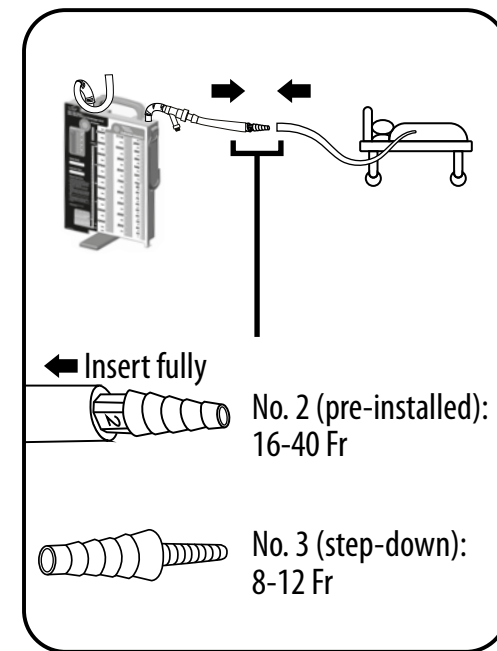
2 Do not fill water to other ports



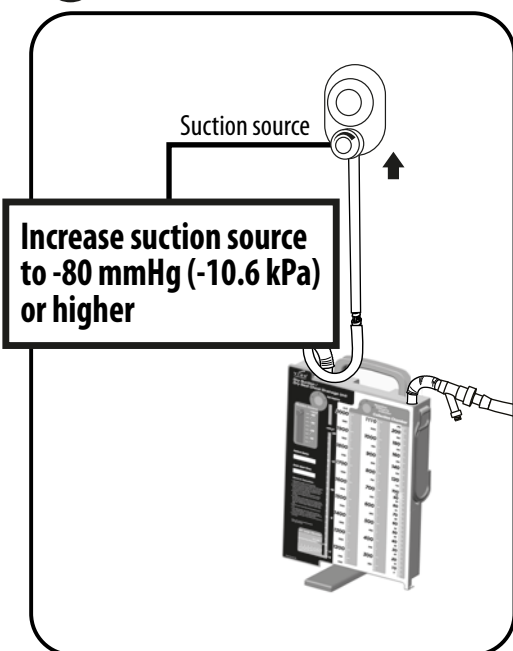
3 Suction Control



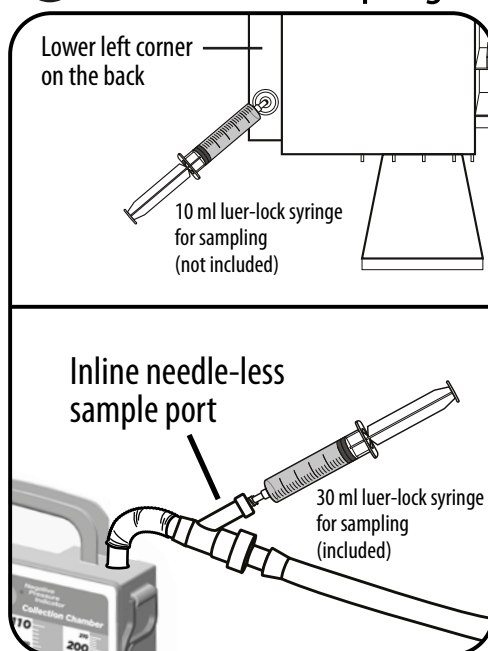
4 Patient Tube



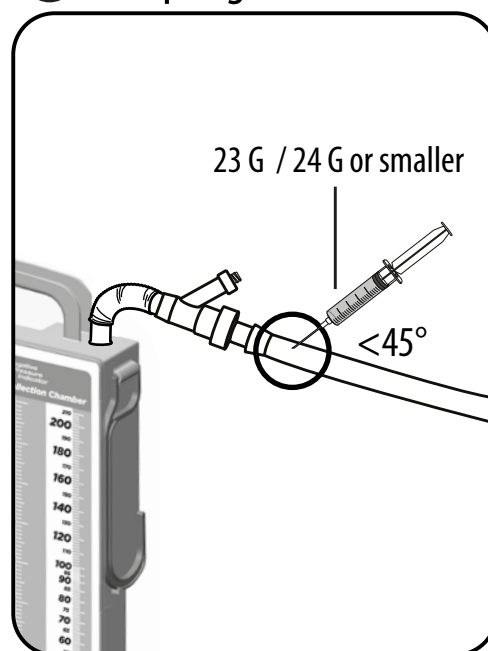
5 Suction Source



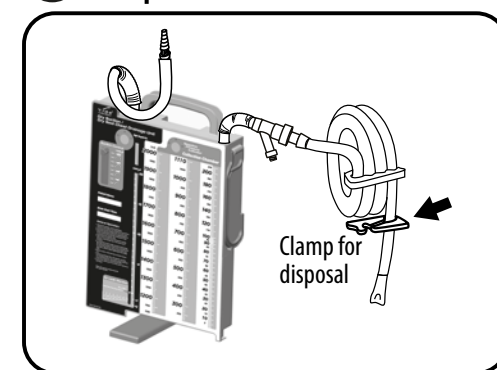
6a Needle-less Sampling



6b Sampling with Needle



7 Disposal



Dry Seal Chest Drain
ST382-0001

See Video



©2024-08